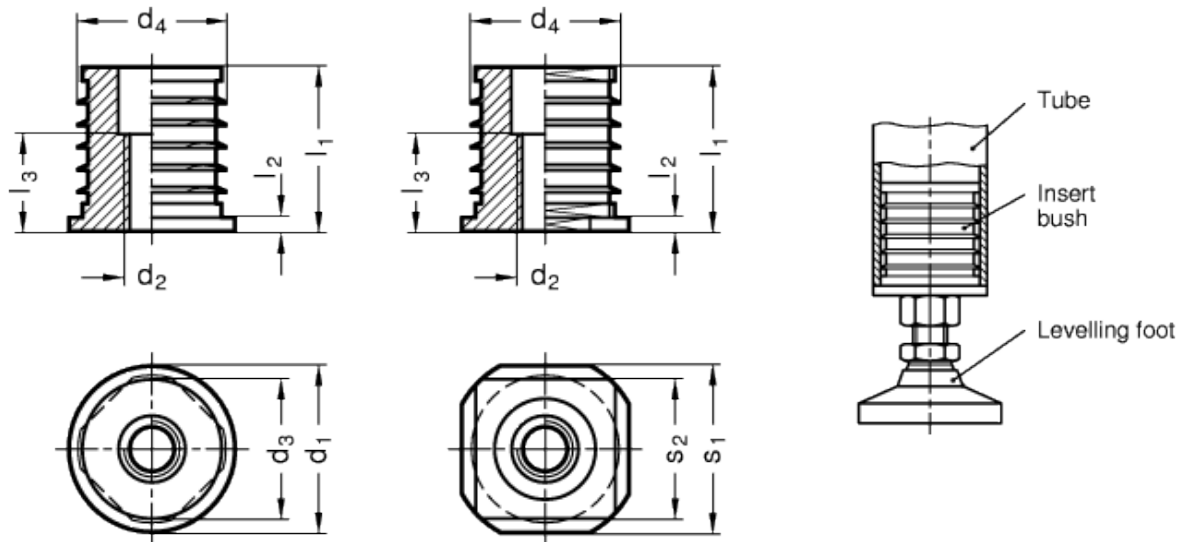


GN 992.5

Threaded tube inserts



INOX
Stainless Steel



technical informations

Material

AISI 303 stainless steel.

Features and applications

Threaded tube inserts GN 992.5 serve as end plugs in tubings which offer the additional facility for fitting threaded levelling elements.

Threaded tube inserts can bridge an internal diameter tolerance on both round as well as square tube of ± 0.5 mm. For this purpose lamellas are available. Threaded tube inserts are fitted with a mallet.

Accessories

Construction tubings GN 990.

Standard Elements	Main dimensions									for tube GN 990	Weight
	Description	d ₁	s ₁	d ₂	d ₃	d ₄	l ₁	l ₂	l ₃		s ₂
GN 992.5-D20-M8	D20	-	M8	16	16.5	29.5	2.5	16	-	D20	28
GN 992.5-D25-M8	D25	-	M8	21	29.5	33.5	2.5	16	-	D25	53
GN 992.5-D25-M10	D25	-	M10	21	21.5	29.5	2.5	16	-	D25	50
GN 992.5-D30-M8	D30	-	M8	26	26.5	29.5	2.5	18	-	D30	93
GN 992.5-D30-M10	D30	-	M10	26	26.5	29.5	2.5	18	-	D30	90
GN 992.5-D40-M10	D40	-	M10	34	34.5	33.5	2.5	24	-	D40	180
GN 992.5-D40-M12	D40	-	M12	34	34.5	33.5	2.5	24	-	D40	180
GN 992.5-D50-M12	D50	-	M12	44	44.5	37.5	2.5	30	-	D50	190
GN 992.5-D50-M16	D50	-	M16	44	44.5	37.5	2.5	30	-	D50	200
GN 992.5-V20-M8	-	V20	M8	-	16.5	29.5	2.5	16	16	V20	32
GN 992.5-V25-M8	-	V25	M8	-	21.5	29.5	2.5	16	21	V25	61
GN 992.5-V25-M10	-	V25	M10	-	21.5	29.5	2.5	16	21	V25	68
GN 992.5-V30-M8	-	V30	M8	-	26.5	29.5	2.5	18	26	V30	106
GN 992.5-V30-M10	-	V30	M10	-	26.5	29.5	2.5	18	26	V30	109
GN 992.5-V40-M10	-	V40	M10	-	34.5	33.5	2.5	24	34	V40	216
GN 992.5-V40-M12	-	V40	M12	-	34.5	33.5	2.5	24	34	V40	219
GN 992.5-V50-M12	-	V50	M12	-	44.5	37.5	2.5	30	44	V50	350
GN 992.5-V50-M16	-	V50	M16	-	44.5	37.5	2.5	30	44	V40	390



STANDARD MACHINE ELEMENTS WORLDWIDE